

Line pressure regulator HP 350

- single stage for high flow and high outlet pressure (up to 50 bar) – with a balanced poppet



Fittings and gauges optional

| TECHNICAL DETAILS | | DESCRIPTION | APPLICATION AREA |
|-------------------------|--------------------------------------------------------------------------------|----------------------------------------------------------------------------------------------------------------------------------------------------------|-------------------------------------------------------------------------------------------------------------------------------------------------------------------------------------------------------------------|
| Body: | Brass, nickel and matt chrome plated or stainless steel 1.4404 electropolished | The line pressure regulator HP 350 is a single stage pressure regulator, brass nickel and matt chrome plated or stainless steel 1.4404 electro polished. | The line pressure regulator HP 350 is a single stage pressure regulator with a high flow rate and is designed for pressure reduction of high purity gases. |
| Seat: | PCTFE | It is designed as a diaphragm pressure regulator and especially made for high outlet pressure. | The HP 350 reduces the pressure of compressed gases or fluids to a maximum outlet pressure of 50 bar. |
| Diaphragm: | 1.4435 | | It functions according to the principle guiding the equilibrium of forces between the set spring force and the outlet pressure. |
| Leakage rate: | 10 ⁻⁸ (mbar l/s) Heliumlecktest | The HP 350 reduces the pressure of compressed gases or fluids to a maximum outlet pressure of 50 bar. | The line pressure regulator HP 350 is equipped with a balanced poppet and by so doing ensures constancy in operating pressure during the entire gas withdrawal process, and occurring decrease in inlet pressure. |
| Gas purity: | ≤ 6.0 | | Special characteristics: The line pressure regulator HP 350 is characterized through his high control accuracy at the pressure area from 0.1 bar to 50 bar. |
| Max. inlet pressure: | 300 bar | It can be equipped optionally with a outlet gauge. | |
| Outlet pressure ranges: | 0,1-1,7; 1-3,5; 1-7; 1-12; 1-17; 1-30; 1-50 bar | The line pressure regulator with integrated balance poppet ensures a constant outlet pressure even when the initial pressure drops. | |
| Operating temp.: | -20°C to +70°C | Degreasing under pressure. | |
| Gauges: | Safety version to EN 837-1 KL1.6 | | |
| Dimensions (wxhxd): | 122 x 123 x 126 mm | | |
| Weight: | 1750 g | | |
| Connections: | NPT 3/8" f / NPT 1/2" f | | |

QUALITY STANDARD

The company Hornung is certified to **DIN EN ISO 9001:2008** and **ISO 14001:2009**. All single parts are manufactured, assembled and tested by in-house production. The finished parts are therefore under all criteria of German quality control with 100% final inspection.

HORNUNG

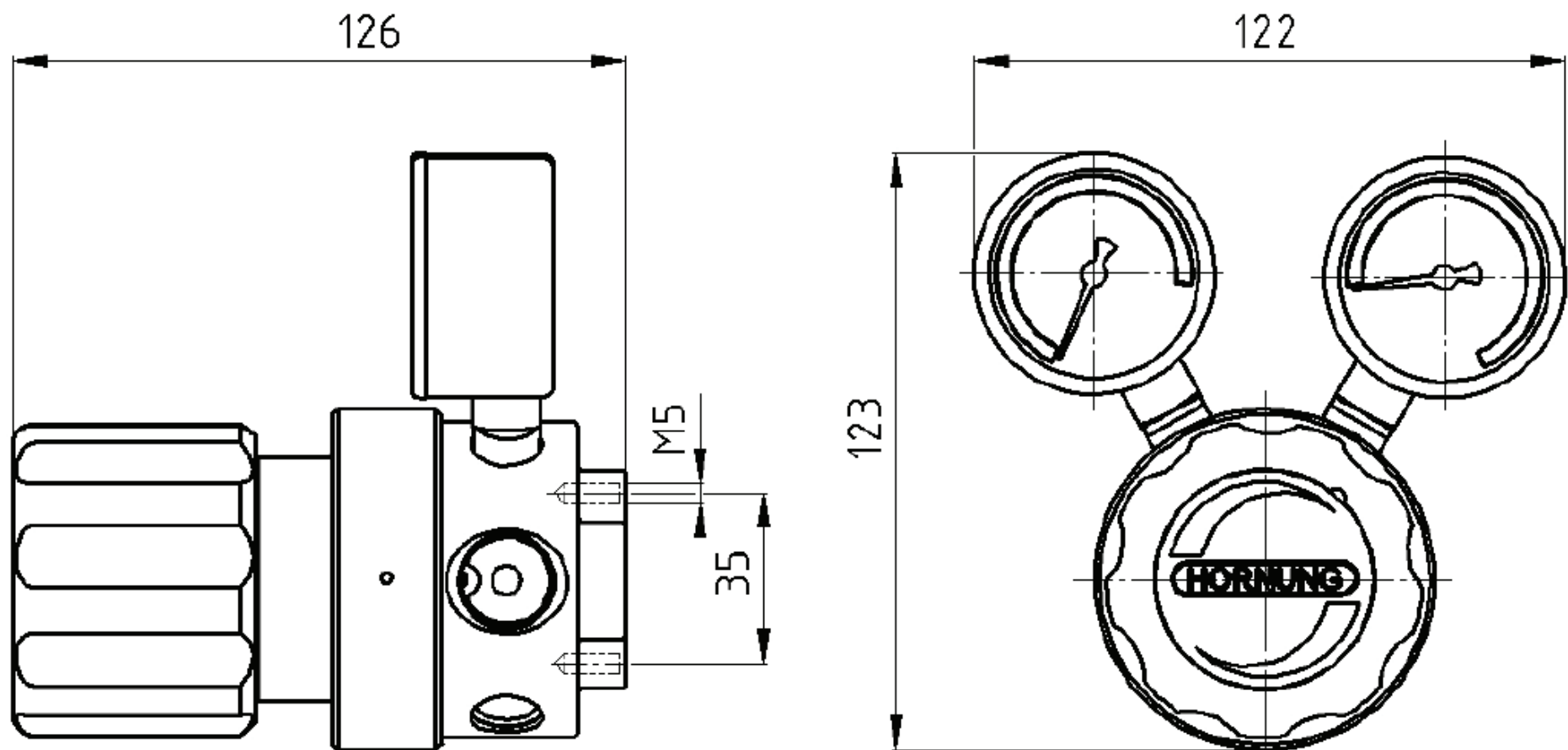
Präzision made in Germany

Rathenaustraße 55
63263 Neu-Isenburg

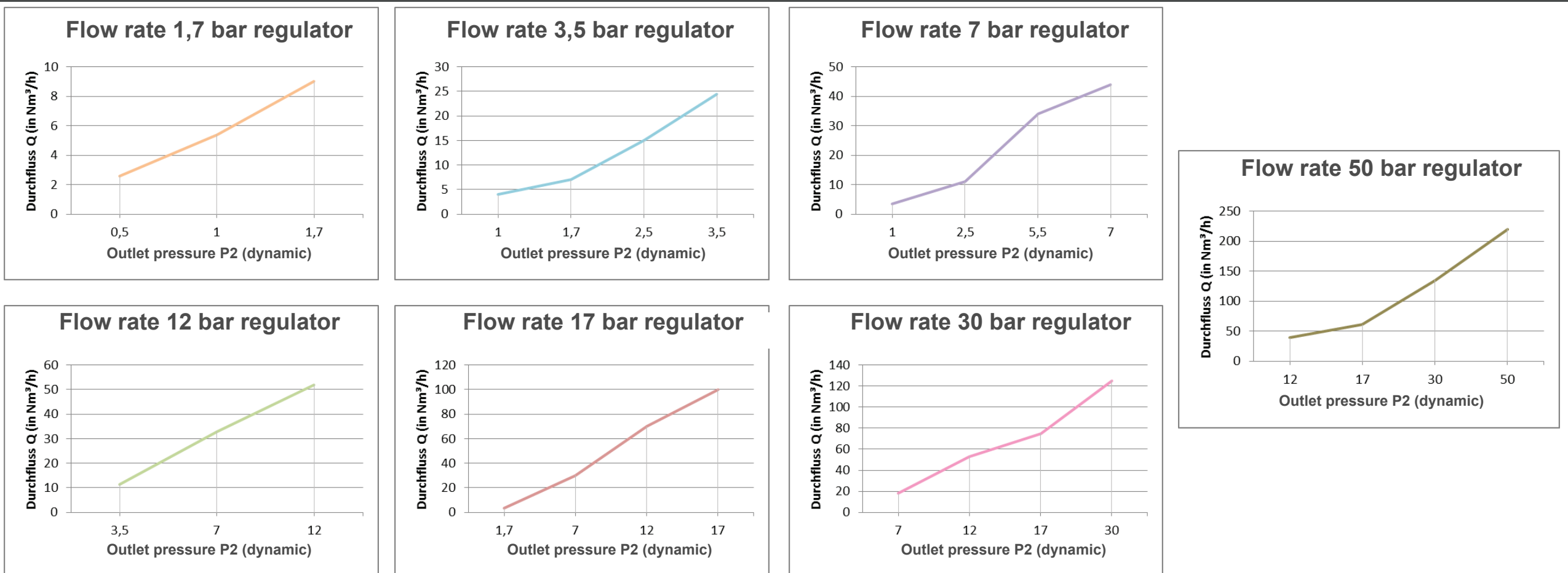
Phone: +49 6102 7883-70
Fax: +49 6102 7883-40

www.hornung.org
info@hornung.org

HP 350



FLOW CURVE



ORDER DETAILS

| | | | | |
|------------------------------------------------------|---------------------------------------------------------|-----------------------------------------------------------------------------------------------------------------------------------------------------------------|----------------------------------------------------------------|------------------------------------------------------------------------------------------------------------------------------------------------------------------------------------------------------------------------------------------------|
| Material: 1 = Stainless steel 2 = Brass | Inlet: 1 = left to right 2 = right to left | Outlet pressure ranges: 1 = 0,1 - 1,7 bar 2 = 1 - 3,5 bar 3 = 1 - 7 bar 4 = 1 - 12 bar 5 = 1 - 17 bar 6 = 1 - 30 bar 7 = 1 - 50 bar | Gauges: 1 = none 2 = with inlet and outlet gauges | Option on the front and back: 0 = NPT 3/8" f 1 = NPT 1/2" f 6 = compression fitting 6 mm 8 = compression fitting 8 mm 10 = compression fitting 10 mm 12 = compression fitting 12 mm 15 = compression fitting 15 mm |
|------------------------------------------------------|---------------------------------------------------------|-----------------------------------------------------------------------------------------------------------------------------------------------------------------|----------------------------------------------------------------|------------------------------------------------------------------------------------------------------------------------------------------------------------------------------------------------------------------------------------------------|

| | | | | | | |
|----------------|---------------|------------|-------------|------------|-------------|----------------------|
| HP350- Type | 2 Material | 3 Inlet | 2 Outlet | 1 Gauge | 6 Option | Gas type Gas type |
|----------------|---------------|------------|-------------|------------|-------------|----------------------|

Accessories: see total catalogue segment

7. Gauges, fittings and accessories