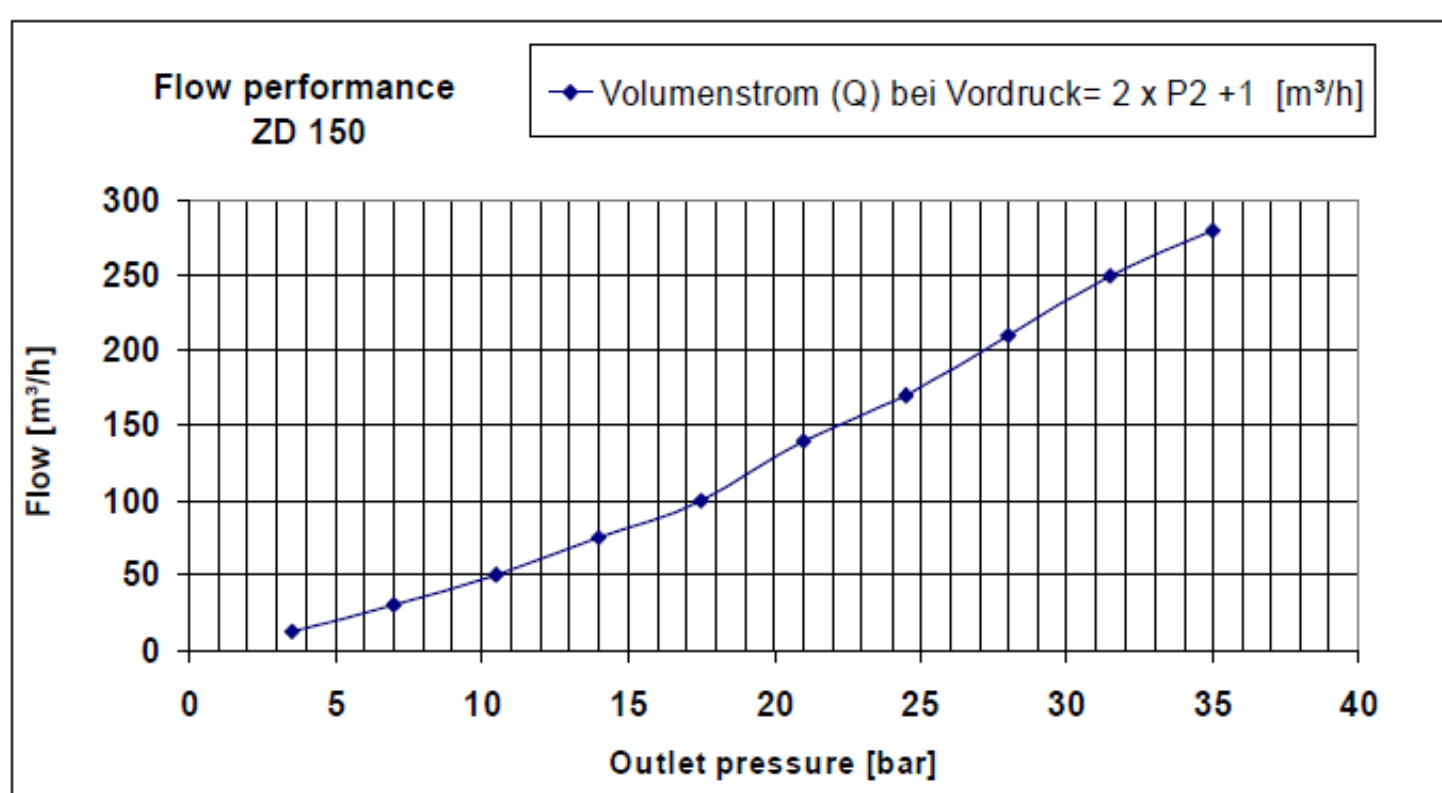
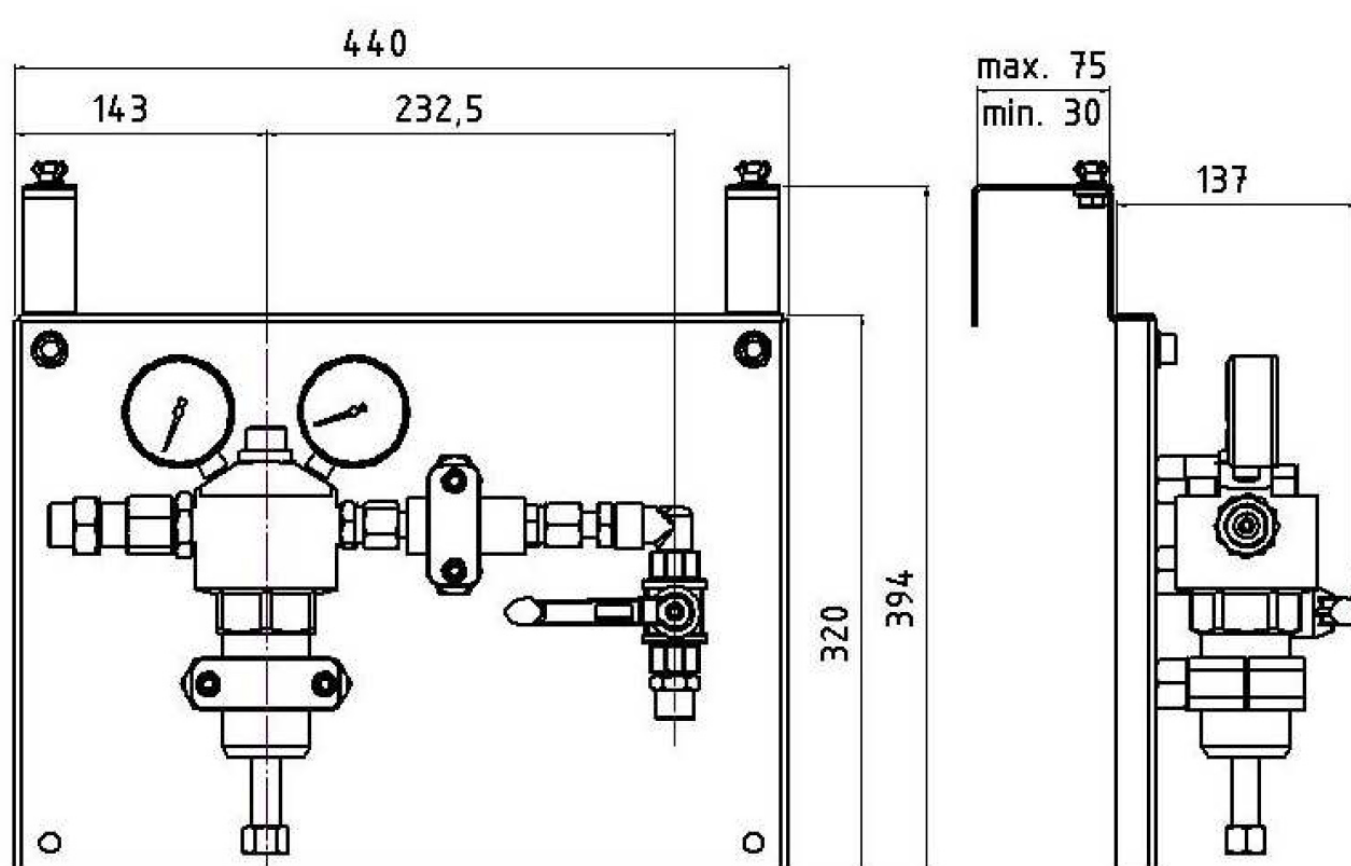
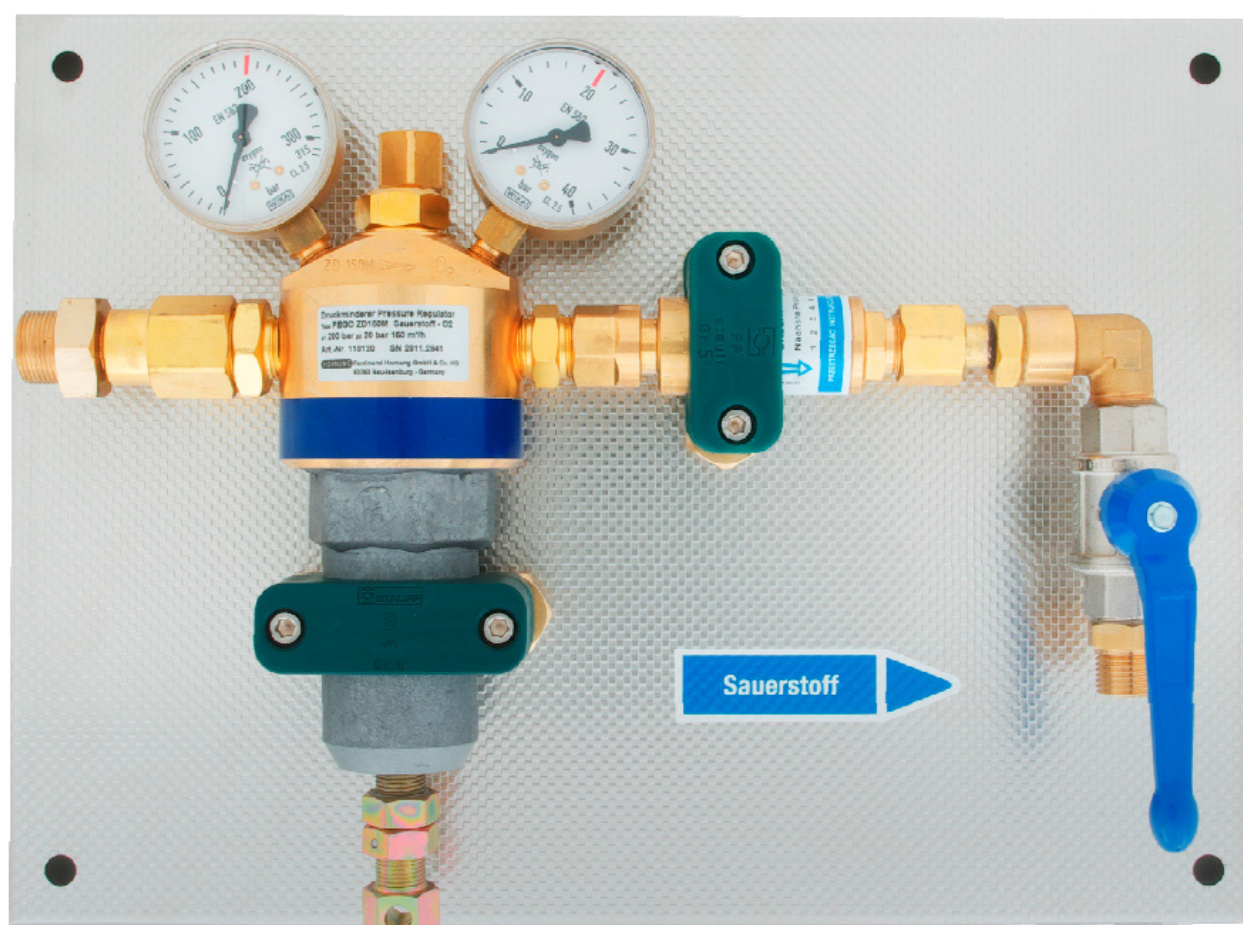


# Gas supply station ZD 150 portable



## DESCRIPTION

The gas supply station ZD 150 is a single sided Oxygen supply unit.

The construction of the basic console with brackets enables the use on different locations e.g. cylinder bundles.

A permanent installation is also possible.

With the supply station ZD 150 a maximum pressure of 300 bar can be reduced to a maximum pressure of 10, 16, 20 or 35 bar and held constant.

The supply station consists of a single stage central pressure regulator to DIN EN 961 (ISO 7291) with BAM oxygen certification.

The integrated relief valve protects the valve from excessive outlet pressure.

The installed safety equipment guarantees safe gas supply according to EN 730-1.

A shut-off valve installed at the outlet ensures a complete gas flow stop.

## QUALITY STANDARD

The company Hornung is certified to **DIN EN ISO 9001** and **ISO 14001:2009**. All single parts are manufactured, assembled and tested by in-house production. The finished parts are therefore under all criteria of German quality control with 100% final inspection.

# HORNUNG

Präzision made in Germany

Rathenaustraße 55  
63263 Neu-Isenburg

Phone: +49 6102 7883-70  
Fax: +49 6102 7883-40

www.hornung.org  
info@hornung.org

# ZD 150 PORTABLE

## INFO

### Safety equipment

Always in use where high gas flows are needed by minimum pressure loss.  
The high gas flow is a guarantee for longer life, higher safety and functionality.

### Safety elements:

- Non-return valve
- Flame arrestor
- Thermal cut-off valve

### Long life through installed dust filter

## TEST SPECIFICATION SAFETY ARRANGEMENT

Equipment should be tested at least biannually. Test equipment can be supplied on request.  
Safety equipment can be repaired and serviced by the manufacturer.

## TECHNICAL DETAILS

<b>Material:</b>	brass	<b>Size:</b>	440 x 320 x 137 mm
<b>Seat:</b>	EPDM	<b>Weight:</b>	8000 g
<b>Filter:</b>	metal, pore size 40 µm		
<b>Diaphragm:</b>	stainless steel		
<b>Max. inlet pressure:</b>	300 bar		
<b>Max. output:</b>	280 m³/h		
<b>Regulating range:</b>	1,0 - 35 bar		
<b>Operating temp.:</b>	-20°C to +60°C		

## ORDER DETAILS

### Inlet pressure (p1):

- 1 = 200 bar
- 2 = 300 bar

### Outlet pressure (p2):

- 1 = 1 - 10 bar
- 2 = 1 - 16 bar
- 3 = 1 - 20 bar
- 4 = 1 - 35 bar

Station - Type

47 Station ZD 150 portable

47-

Type

1

p1

1

p2

Gas type

Gas type

### Accessories:

- ZDA 25 Station, portable
- Gas manifold, portable

- Low pressure hose to station
- High pressure hose to cylinder bundle