

# Gas supply station ZD 60



Illustration 1

## DESCRIPTION

The supply station ZD 60 is available in a single and double sided configuration. The double sided station (illustration 1+2) for assembly in double sided cylinder and bundle battery systems guarantees the interruption free gas supply with manual switching.

The single sided station (illustration 3+4) is for assembly in single sided cylinder and bundle battery systems and ensures a safe cut-off of the gas supply.

With the supply station ZD 60 a maximum pressure of 300 bar can be reduced to a maximum pressure of 10, 20 or 30 bar and held constant.

The supply station consists of a single stage central pressure regulator to DIN EN 961 (ISO 7291) with BAM Oxygen certification.

The integrated relief valve protects the valve from excessive outlet pressure.

Double shut-off valve (double sided station) or a main shut-off valve (single sided station), both certified with BAM, are also feature of the station.

The assembly is mounted on a wall bracket.

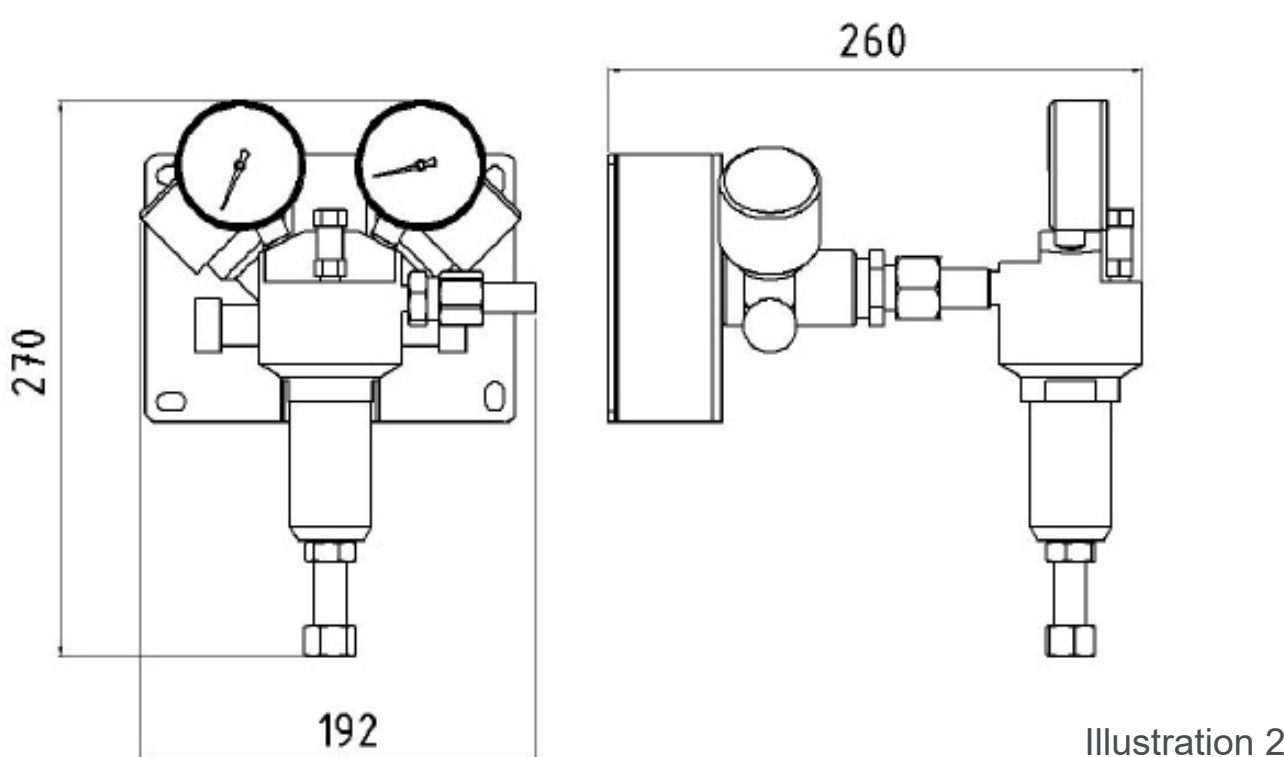
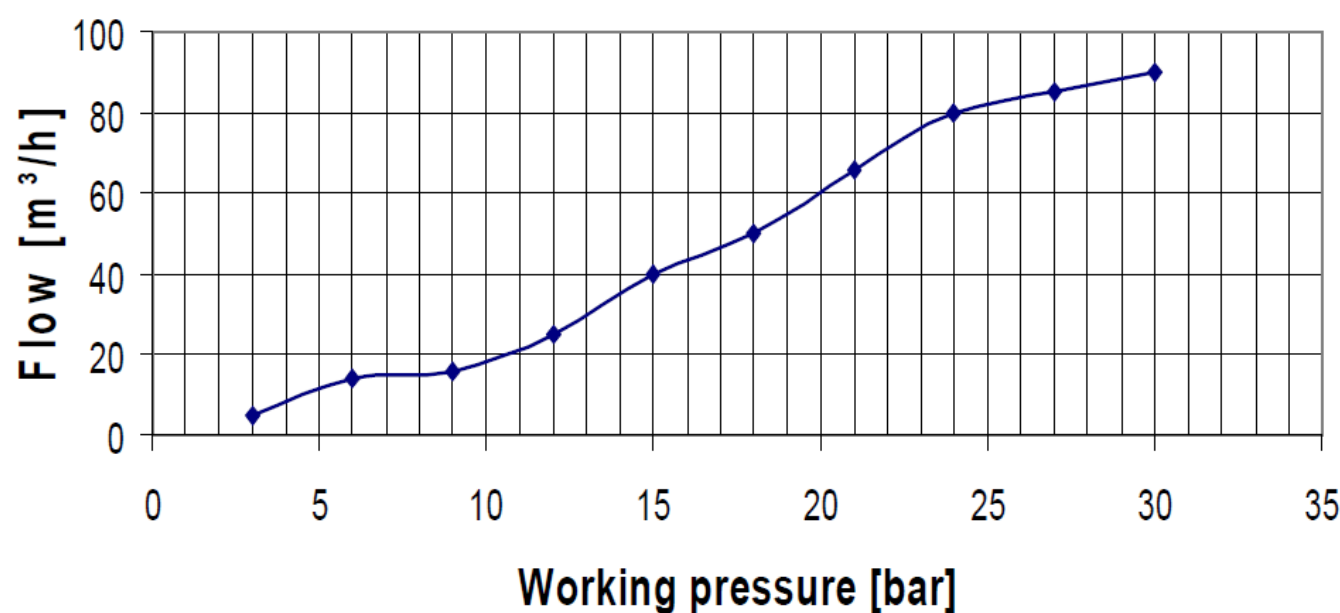


Illustration 2

## Flow capacity ZD 60

Flow (Q) at inlet pressure = 2 x P2 + 1 [m³/h]



## QUALITY STANDARD

The company Hornung is certified to **DIN EN ISO 9015** and **ISO 14001:2015**. All single parts are manufactured, assembled and tested by in-house production. The finished parts are therefore under all criteria of German quality control with 100% final inspection.

# ZD 60



Illustration 3

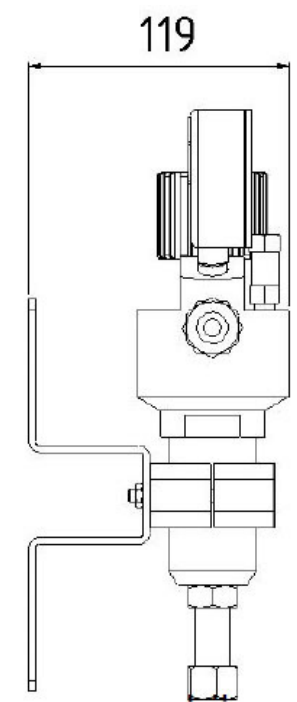
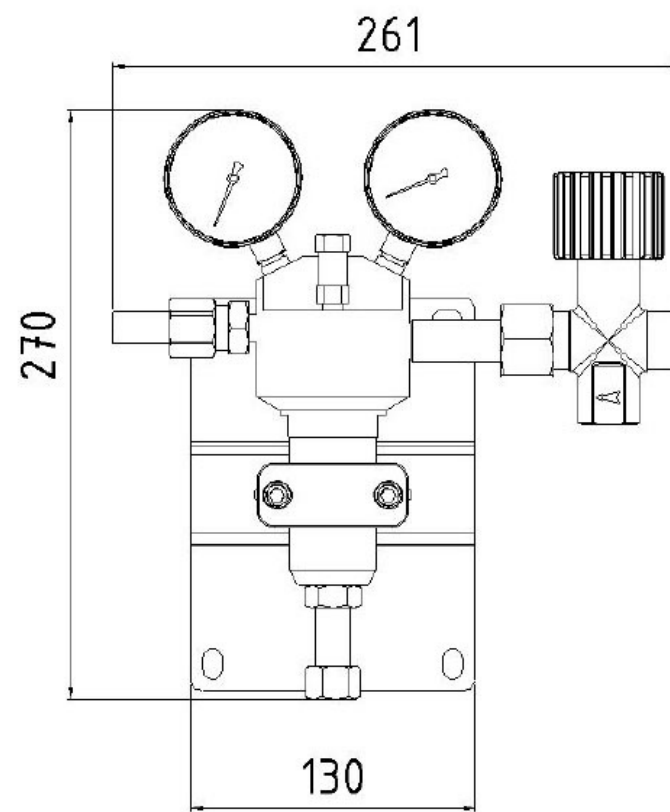


Illustration 4

Illustration 3+4: single side regulator (right)  
Also available as left, sizes identical

## TECHNICAL DETAILS

<b>Material:</b>	brass	<b>Size:</b>	261 x 270 x 119 mm (1 s.) 192 x 270 x 260 mm (2 s.)
<b>Seat:</b>	EPDM	<b>Weight:</b>	4500 g (1 s.) 5500 g (2 s.)
<b>Filter:</b>	metal, pore size 40 µm	<b>Connections:</b>	Inlet: G 3/4 DIN 8542 or G 3/4 DIN 477
<b>Diaphragm:</b>	stainless steel	Single sided:	
<b>Max. inlet pressure:</b>	300 bar	Double sided:	G 3/4 DIN 477
<b>Regulating range:</b>	1,0 - 30 bar	Outlet:	nipple 1/2"
<b>Operating temp.:</b>	-20°C bis +60°C	Gauge:	G 1/4

## ORDER DETAILS

<b>Format:</b>	<b>Inlet pressure (p1):</b>	<b>Outlet pressure (p2):</b>	<b>Connection inlet (only with single sided):</b>
1 = single sided, right	1 = 200 bar	1 = 1 - 10 bar	1 = G 3/4 m DIN 8542
2 = single sided, left	2 = 300 bar	2 = 1 - 20 bar	2 = G 3/4 m DIN 477 / Nr. 9
3 = double sided		3 = 1 - 30 bar	

Station - Type	51	-1	1	2	1	Gas type
51 Supply station ZD 60	Type	Format	p1	p2	Inlet	Gas type

**Accessories:**  
High pressure manifold : see data sheet "High pressure manifold"

**Note:**  
See also data sheet "Cylinder battery system" and "Bundle battery system"